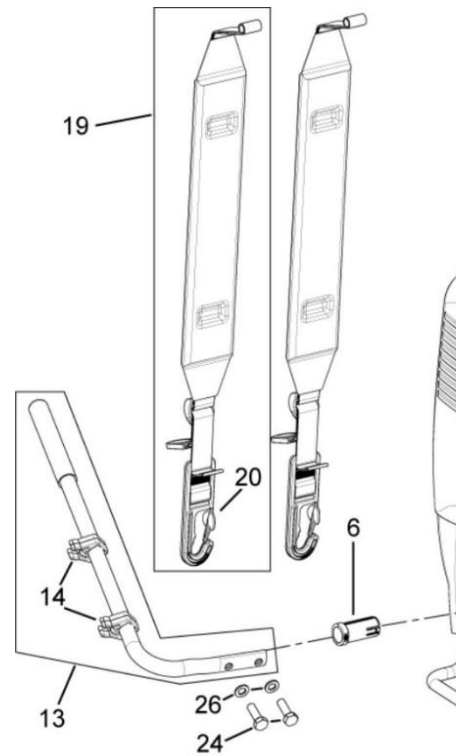
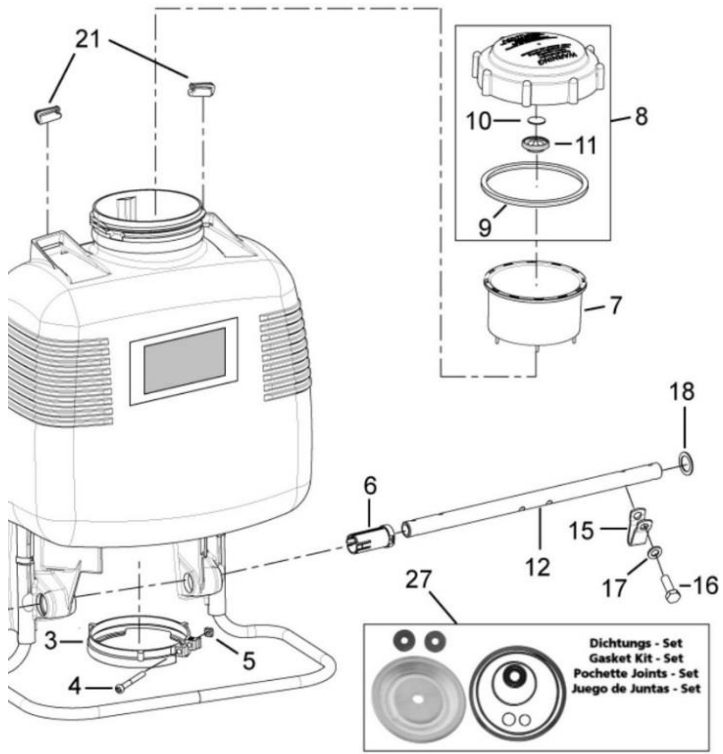


solo[®]

473D Classic -Tank Carrying Strap

Pos.No.	Part No.	Quantity	Description	RRP
3	00 66 439 52	1	Clamp	\$15.76
4	00 11 274	1	Screw	\$2.44
5	00 21 257	1	Nut	\$1.55
6	40 74 410	2	Bushing	\$3.57
7	42 00 166	1	Filler basket	\$11.43
8	42 00 242 25	1	Tank lid incl. (-> 8 - 11	\$30.12
9	40 61 345	1	Gasket	\$8.36
10	40 61 464	1	Valve plate	\$2.11
11	40 74 123	1	Vent cap (-)	\$3.83
12	40 35 111	1	Pump shaft	\$18.07
13	48 00 173 25	1	Pump lever incl. (-> 13, 14	\$30.69
14	40 74 996	2	Clip (-)	\$3.56
15	40 43 123	1	Stop plate	\$4.69
16	00 12 185	1	Screw	\$1.38
17	00 30 131	1	Washer	\$0.65
18	00 31 356	1	Washer	\$1.52
19	43 00 340 25.66	2	Carrying strap incl. (-> 19,	\$25.66
20	40 74 836	2	Plastic hook (-)	\$3.56
21	40 74 412 17	2	Strap holder	\$2.35
24	00 12 185	2	Screw	\$1.38
26	00 30 131	2	Washer	\$0.65
27	06 10 406 k	1	Gasket kit	\$35.85

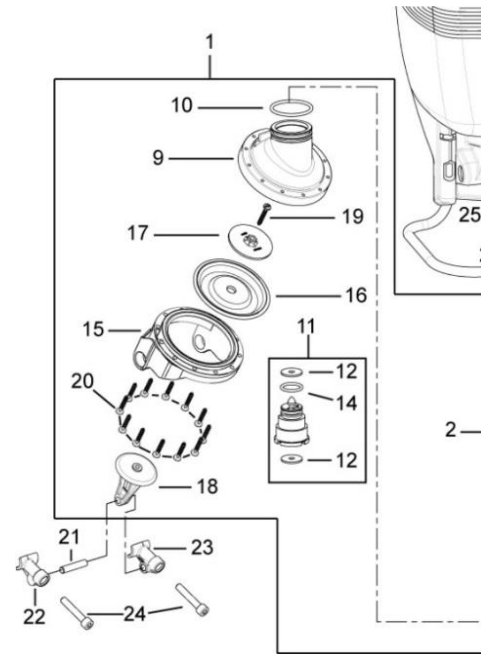


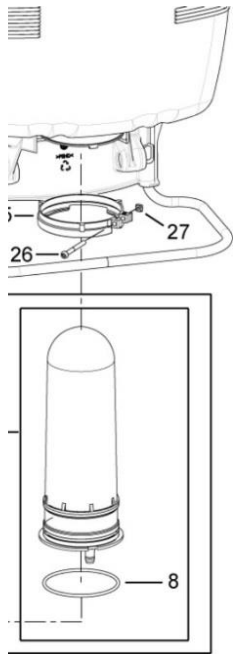


solo®

473D Classic -Diaphragm Pump

Pos. No.	Part No.	Quantity	Description	RRP
1	44 00 321	1	Diaphragm pump incl. (-> 1 - 20)	\$90.36
2	44 00 240	1	Pressure cylinder incl. (-> 2, 8)	\$47.58
8	00 62 291	1	Ring <-)	\$3.32
9	40 73 411	1	Diaphragm housing	\$19.20
10	00 62 140	1	Ring	\$2.35
11	44 00 222	1	Threaded collar incl. (-> 11 - 14)	\$22.82
12	40 61 257	2	Valve plate	\$9.57
14	00 62 139	1	Ring <-)	\$2.27
15	40 73 412 17	1	Flange	\$14.37
16	40 74 246	1	Diaphragm	\$15.60
17	40 74 256	1	Diaphragm plate	\$8.54
18	40 74 255	1	Connection rod	\$8.12
19	00 18 427	1	Screw	\$1.12
20	00 18 257	12	Screw <-)	\$1.12
21	40 31 130	1	Wrist pin	\$8.36
22	40 74 234	1	Pump lever, RH	\$5.96
23	40 74 243 25	1	Pump lever, LH	\$5.96
24	00 10 141	2	Screw	\$1.74
25	00 66 439 25	1	Clamp	\$15.76
26	00 11 274	1	Screw	\$2.44
27	00 21 257	1	Nut	\$1.55





solo[®]

473D Classic -Spray Wand

Pos.-No.	Part No.	Quantity	Description	RRP
1	48 00 170 P	1	Shut-off valve	\$26.00
2	06 10 402 K	1	Repair kit	\$15.75
3	40 74 335	1	Lever	\$4.76
4	40 74 295 25	1	Bolt	\$3.32
5	40 74 329	1	Support bracket	\$1.62
6	40 74 336	1	Screw cap <-)	\$3.56
7	49 00 230 P	1	Spray tube w. nozzle incl. (-	\$24.40
9	00 62 258	1	O-ring	\$1.73
10	40 74 337	1	Screw cap	\$3.56
12	00 52 115	2	O-ring	\$2.36
13	40 74 527 25	1	Elbow	\$7.17
14	40 74 922	1	Filter insert	\$3.56
15	00 62 106	1	O-ring	\$2.15
16	40 74 263 1	1	Flat spray nozzle	\$9.57
17	40 74 148	1	Screw cap <-)	\$3.56
18	00 66 463	1	Clamp	\$5.17
19	00 18 363	1	Screw	\$1.30
20	00 64 234	1	Hose	\$15.06
21	40 74 500	1	Clamp	\$2.92
22	00 31 356	1	Washer	\$1.52
23	40 74 337	1	Screw cap	\$3.56
24	00 62 271	1	Ring	\$1.73
25	40 74 755	1	Nozzle	\$3.57
26	00 62 106	1	O-ring	\$2.15
27	40 74 756	1	Swirl plate	\$3.57

