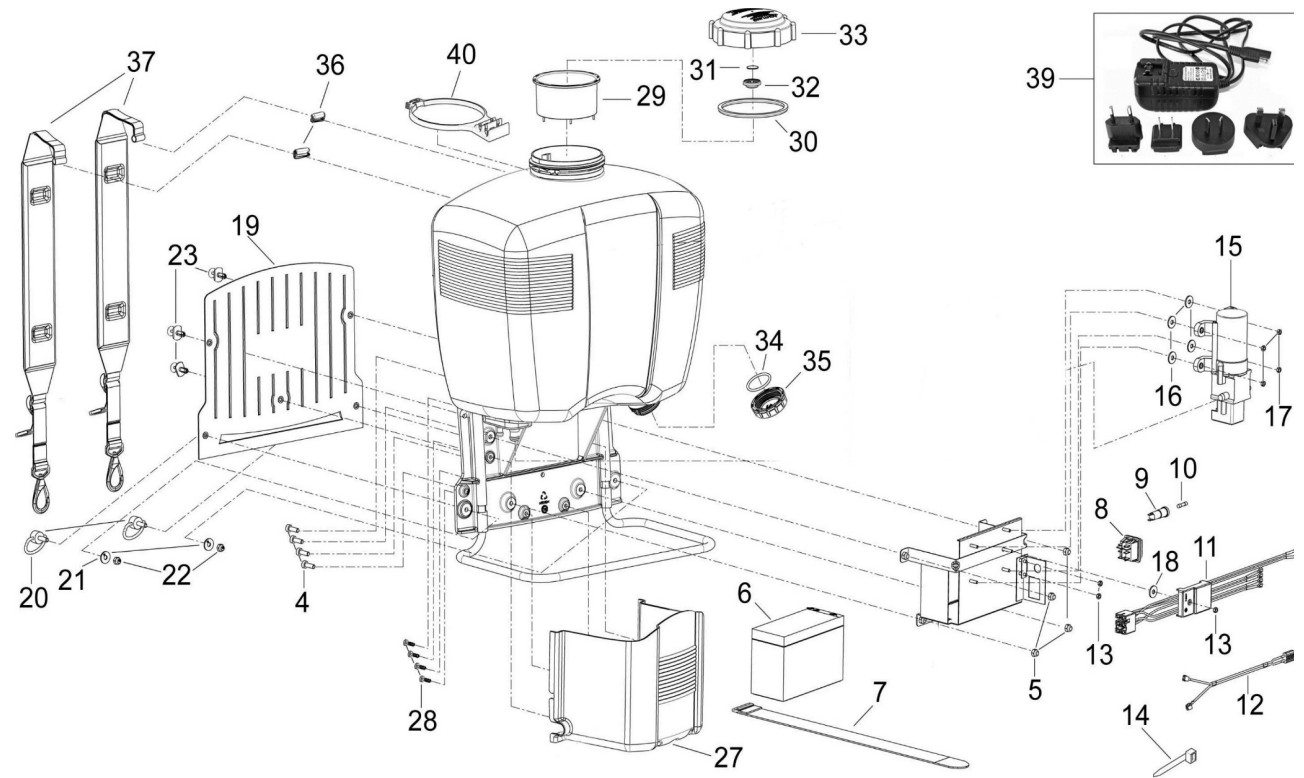


solo[®]

417 Basic Unit

| Pos No | Part No. | Quantity | Description |
|--------|--------------|----------|--------------------------|
| 4 | 00 18 346 | 4 | Screw |
| 5 | 00 28 111 | 4 | Hex. nut |
| 6 | 00 84 110 | 1 | Battery 12 V, 7,2 Ah |
| 7 | 43 00 344 | 1 | Hookand loop strap |
| 8 | 00 84 108 | 1 | Switch |
| 9 | 00 84 054 | 1 | Fuse Holder |
| 10 | 00 84 055 | 1 | Fuse Holder |
| 11 | 00 84 115 | 1 | Pcb control board |
| 12 | 00 84 112 | 1 | Cable |
| 13 | 00 28 118 | 3 | Hex. nut |
| 14 | 00 66 409 | 1 | Cable band |
| 15 | 44 00 317 | 1 | Pump |
| 16 | 00 30 125 | 4 | Washer |
| 17 | 00 28 118 | 4 | Hex. nut |
| 18 | 00 30 102 | 1 | Washer |
| 19 | 00 98 154 | 1 | Cushion |
| 20 | 00 14 119 | 2 | Grommet |
| 21 | 00 30 125 | 2 | Washer |
| 22 | 00 28 111 | 2 | Hex. nut |
| 23 | 00 44 293 | 3 | Rivet |
| 27 | 40 73 707 | 1 | Cover |
| 28 | 00 18 274 | 4 | Screw |
| 29 | 42 00 166 25 | 1 | Filter basket |
| 30 | 40 61 345 | 1 | Gasket |
| 31 | 40 61 464 | 1 | Valve plate </td |
| 32 | 40 74 123 | 1 | Vent cap |
| 33 | 42 00 242 25 | 1 | Tank cap |
| 34 | 00 62 191 | 1 | O-ring |
| 35 | 40 74 633 | 1 | cap |
| 36 | 40 74 412 25 | 2 | Strap holder |
| 37 | 43 00 344 | 2 | Carrying strap with hook |
| 39 | 00 84 925 | 1 | Battery charger |
| 40 | 40 73 726 | 1 | Lance support |



417 Spray Wand

| Pos No | Part No. | Quantity | Description |
|--------|--------------|----------|--------------------------------|
| 1 | 49 00 230P | 1 | Spray tube |
| 3 | 00 62 258 | 1 | O-ring |
| 4 | 40 74 337 | 1 | Screw cap |
| 5 | 00 62 115 | 2 | O-ring |
| 6 | 40 74 527 25 | 1 | Elbow |
| 7 | 27 00 316 | 1 | Ball valve filter |
| 8 | 00 62 106 | 1 | O-ring |
| 9 | 40 74 506 | 1 | Flat spray nozzle |
| 10 | 40 74 148 | 1 | Screw cap (-) |
| 14 | 00 64 234 | 1,75 m | Hose |
| 15 | 40 74 337 | 1 | Screw cap |
| 16 | 00 31 356 | 1 | Washer |
| 17 | 40 74 500 | 1 | Clamping piece |
| 18 | 00 62 271 | 1 | O-ring |
| 20 | 48 00 170 P | 1 | Shut-off handle |
| 21 | 06 10 402 K | 1 | Repair kit |
| 22 | 40 74 335 | 1 | Lever |
| 23 | 40 74 295 | 1 | Bolt |
| 24 | 40 74 329 | 1 | Support bracket (-) |
| 25 | 40 74 338 | 1 | Screw cap |
| 26 | 49 00 356 | 1 | Pressure gauge incl. (-> 26-27 |
| 27 | 00 62 249 | 1 | O-ring (-) |

