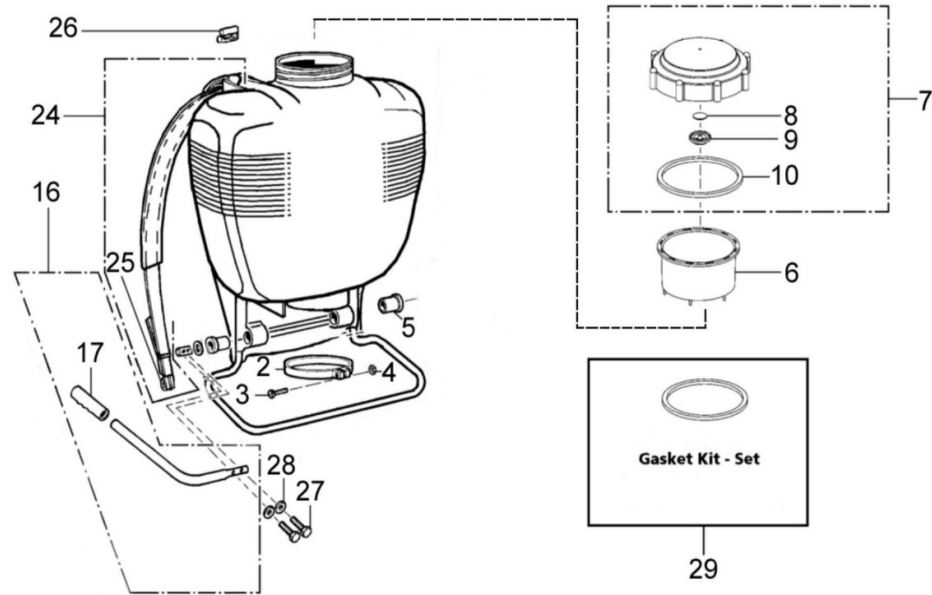


# solo<sup>®</sup>

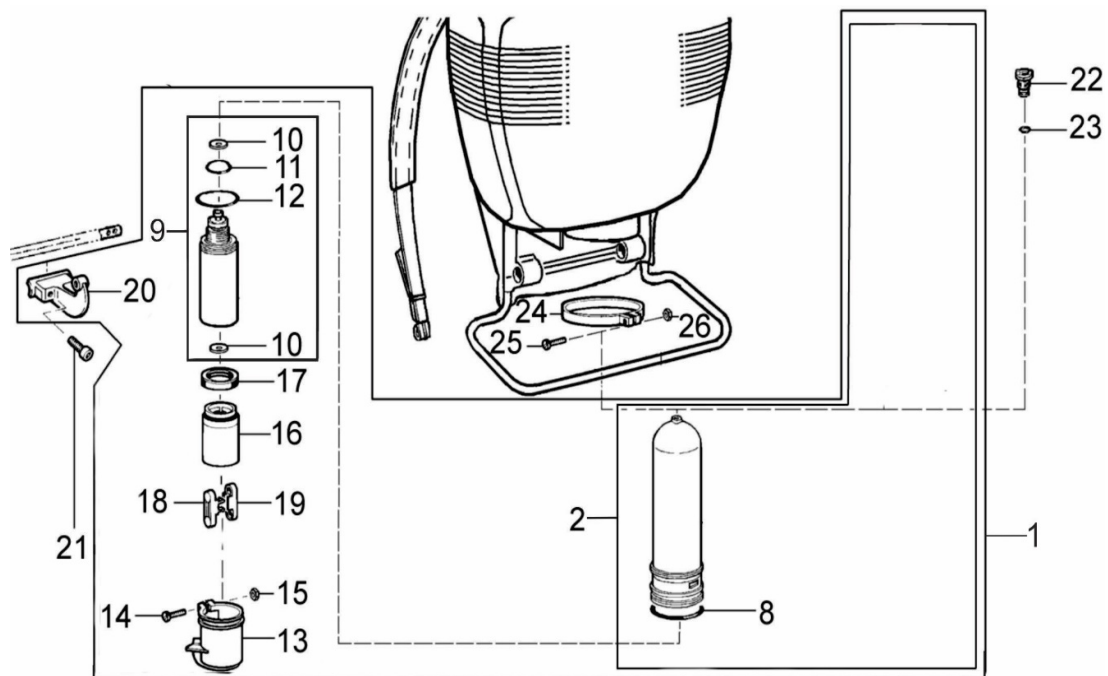
## 425LC - Tank Carrying Strap

Pos.-	Part No.	Quantity	Description
2	00 66 439	1	Clamp ONLY
3	00 11 274	1	Screw
4	00 21 257	1	Nut
5	40 74 410	2	Bushing (-)
6	42 00 166	1	Filler basket
7	42 00 242	1	Tank lid
8	40 61 464	1	Valve plate
9	40 74 123	1	Vent cap
10	40 61 345	1	Gasket (-)
11	40 35 111	1	Pump shaft
12	00 31 356	1	Washer
16	48 00 173	1	Pump lever incl. (-> 16, 17
17	40 74 392	1	Grip (-)
24	43 00 340	2	Carrying strap incl. (-> 24, 25
25	40 74 836	2	Plastic hook (-)
26	40 74 412	2	Strap holder
27	00 12 185	2	Screw
28	00 30 131	2	Washer
29	06 10 407	1	Gasket kit



# 425LC - Piston Pump

Pos.- No.	Part No.	Quantity	Description
1	44 00 311	1	Pump assembly Complete
2	44 00 240	1	Pressure cylinder incl. (-> 2 - 8
8	00 62 291	1	Ring <-)
9	44 00 1681	1	Cylinder (10-12)
10	40 61 257	2	Valve plate
11	00 62 139	1	Ring
12	00 62 140	1	Ring
13	40 74 680	1	Protection cap
14	00 18 340	1	Screw
15	00 20 101	1	Nut
16	40 73 558 25	1	Piston
17	44 00 189	1	Collar VITON
18	40 74 408	1	Connecting rod with stud
19	40 74 409	1	Connecting rod without stud
20	40 74 262 25	1	Lever <-)
21	00 10 165	2	Screw
22	42 00 215	1	Plug
23	00 62 258	1	Ring
24	00 66 439 25	1	Clamp ONLY
25	00 11 274	1	Screw
26	00 21 257	1	Nut



# 425LC - Spray Wand

Pos.- No.	Part No.	Quantity	Description
1	48 00 170 P	1	Shut-off valve incl. (-> 1 - 6
2	06 10 402 K	1	Repair kit
3	40 74 335	1	Lever
4	40 74 295 25	1	Bolt
5	40 74 329	1	Support bracket
6	40 74 336	1	Screw cap <-)
7	49 00 230 P	1	Spray tube w. nozzle incl. (-> 7-17
9	00 62 258	1	O-ring
10	40 74 337	1	Screw cap
12	00 52 115	2	O-ring
13	40 74 527 25	1	Elbow
14	40 74 922	1	Filter insert
15	00 62 106	1	O-ring
16	40 74 263 1	1	Flat spray nozzle
17	40 74 148	1	Screw cap <-)
18	00 66 463	1	Clamp
19	00 18 363	1	Screw
20	00 64 234	1	Hose
21	40 74 500	1	Clamp
22	00 31 356	1	Washer
23	40 74 337	1	Screw cap
24	00 62 271	1	Ring
25	40 74 755	1	Nozzle
26	00 62 106	1	O-ring
27	40 74 756	1	Swirl plate

