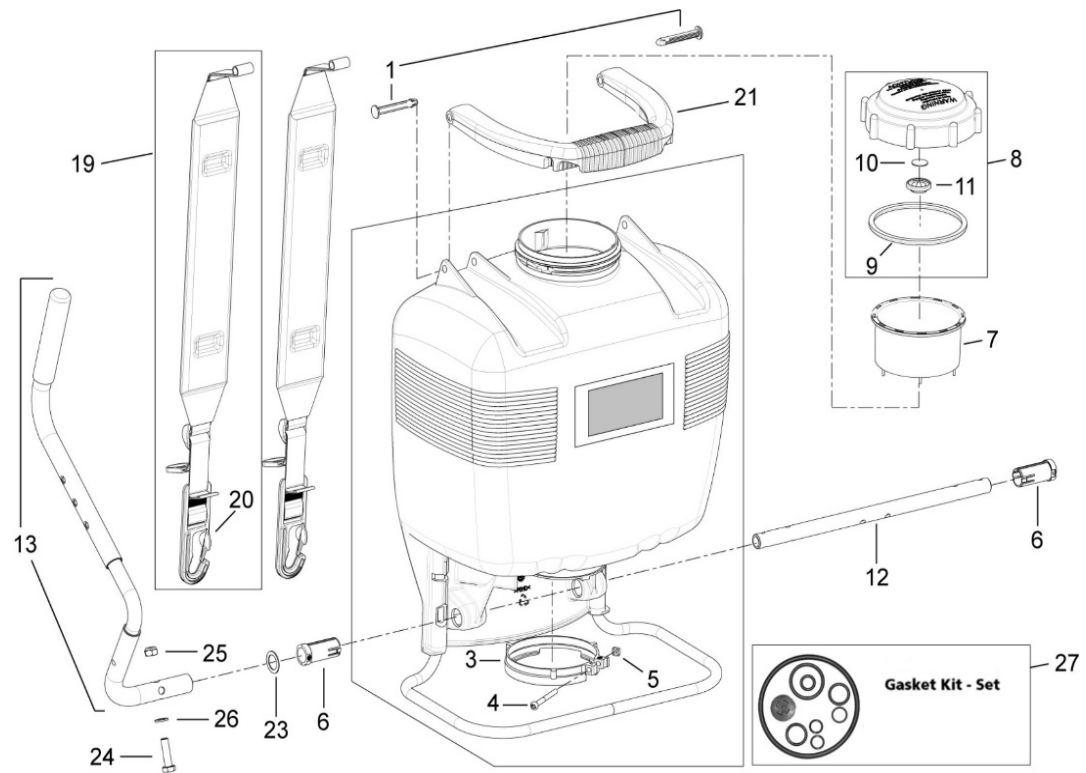


# solo<sup>®</sup>

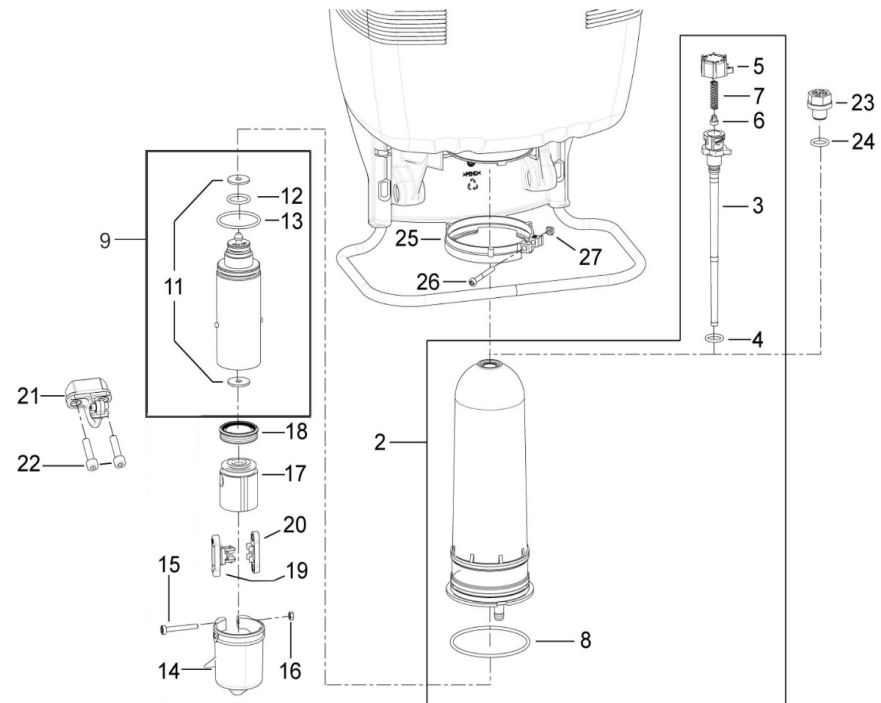
## 425 Comfort - Tank Carrying Strap

Pos.-No.	Part No.	Quantity	Description
1	40 74 425	2	Grip bracing
3	00 66 439 52	1	Clamp no bolt or nut
4	00 11 274	1	Screw
5	00 21 257	1	Nut (-)
6	40 74 410	2	Bushing
7	42 00 166	1	Filler basket
8	42 00 242 25	1	Tank lid incl. (-> 8 - 11
9	40 61 345	1	Gasket
10	40 61 464	1	Valve plate
11	40 74 123	1	Vent cap (-)
12	40 35 111	1	Pump shaft
13	48 00 259	1	Pump lever
19	43 00 340	2	Carrying strap incl. (-> 19, 20
20	40 74 836	2	Plastic hook (-)
21	40 73 725	1	Carry handle
23	00 31 356	1	Washer
24	00 12 192	1	Screw
25	00 20 119	1	Hex. Nut
26	00 30 131	1	Washer
27	06 10 407 K	1	Gasket kit



## 425 Comfort - Piston Pump

Pos.-No.	Part No.	Quantity	Description
2	4400240	1	Pressure cylinder incl. (-> 2 - 8
3	40 74 323	1	Adjustment piece
4	00 62 258	1	Ring
5	40 74 344	1	Adjustment cap
6	40 74 350	1	Sealing
7	00 70 260	1	Compression spring
8	00 62 291	1	Ring (-)
9	44 00 168 1		Cylinder - 11 12 13
11	40 61 257	2	Valve plate
12	00 62 139	1	Ring
13	00 62 140	1	Ring
14	40 74 680	1	Protection cap
15	00 18 340	1	Screw
16	00 20 101	1	Nut (-)
17	40 73 558 25	1	Piston
18	44 00 189	1	Collar VITON
19	40 74 408	1	Connecting rod w. stud
20	40 74 409	1	Connecting rod w/o stud
21	40 74 262 25	1	Lever
22	00 10 165	2	Screw
23	4200215	1	Plug
24	00 62 258	1	Ring
25	00 66 439 52	1	Clamp
26	00 11 274	1	Screw
27	00 21 257	1	Nut



# 425 Comfort - Spray Wand

Pos.-No.	Part No.	Quantity	Description
1	48 00 170 P	1	Shut-off valve
2	06 10 402 K	1	Repair kit
3	40 74 335	1	Lever
4	40 74 295	1	Bolt
5	40 74 329	1	Support bracket
6	40 74 336	1	Screw cap <-)
7	49 00 230 P	1	Spray tube w. nozzle incl. (-> 7-
9	00 62 258	1	O-ring
10	40 74 337	1	Screw cap
12	00 52 115	2	O-ring
13	40 74 527 25	1	Elbow
14	40 74 922	1	Filter insert
15	00 62 106	1	O-ring
16	40 74 263 1	1	Flat spray nozzle
17	40 74 148	1	Screw cap <-)
18	00 66 463	1	Clamp
19	00 18 363	1	Screw
20	00 64 234	1	Hose
21	40 74 500	1	Clamp
22	00 31 356	1	Washer
23	40 74 337	1	Screw cap
24	00 62 271	1	Ring
25	40 74 755	1	Nozzle
26	00 62 106	1	O-ring
27	40 74 756	1	Swirl plate

