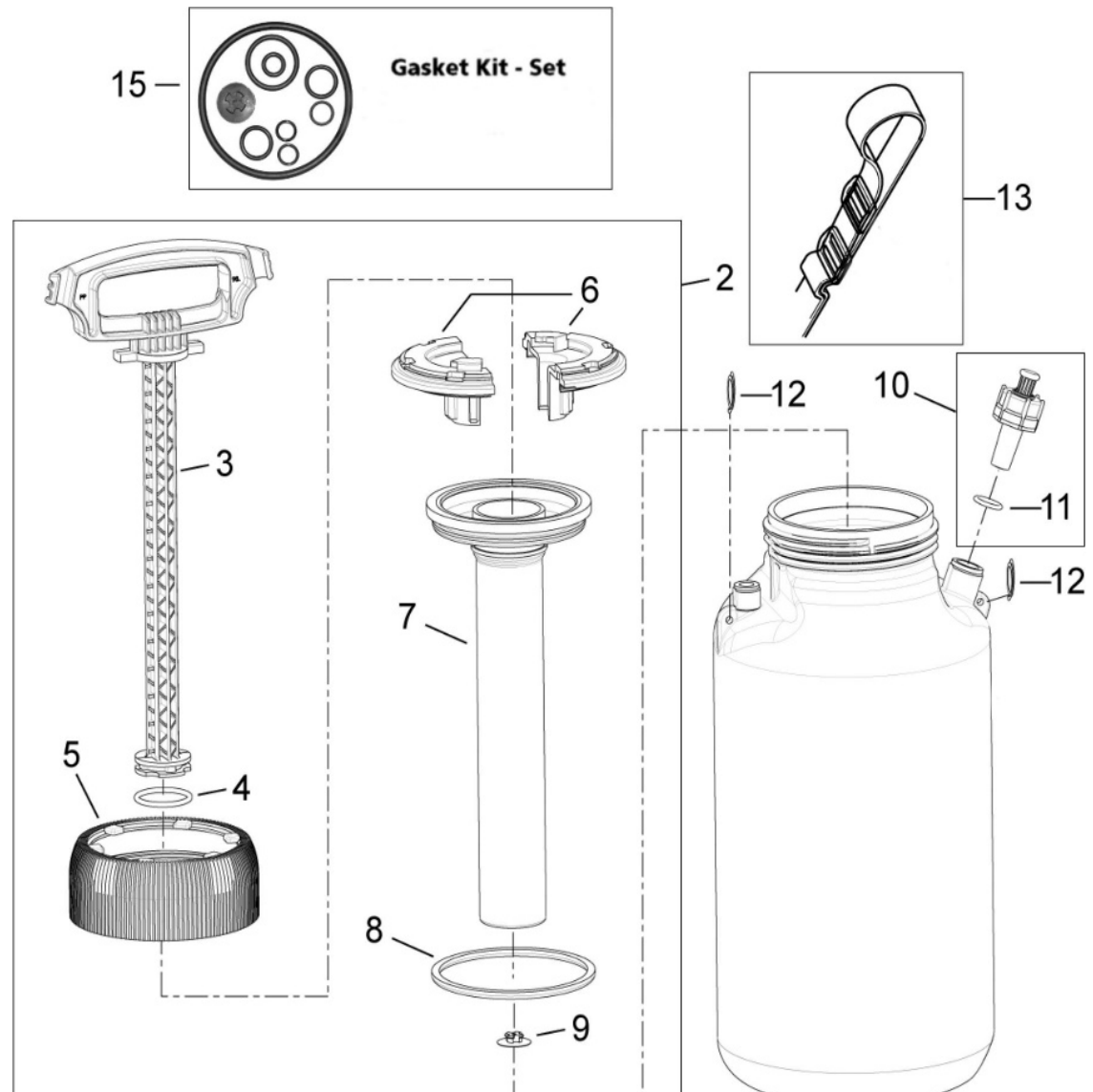


solo[®]

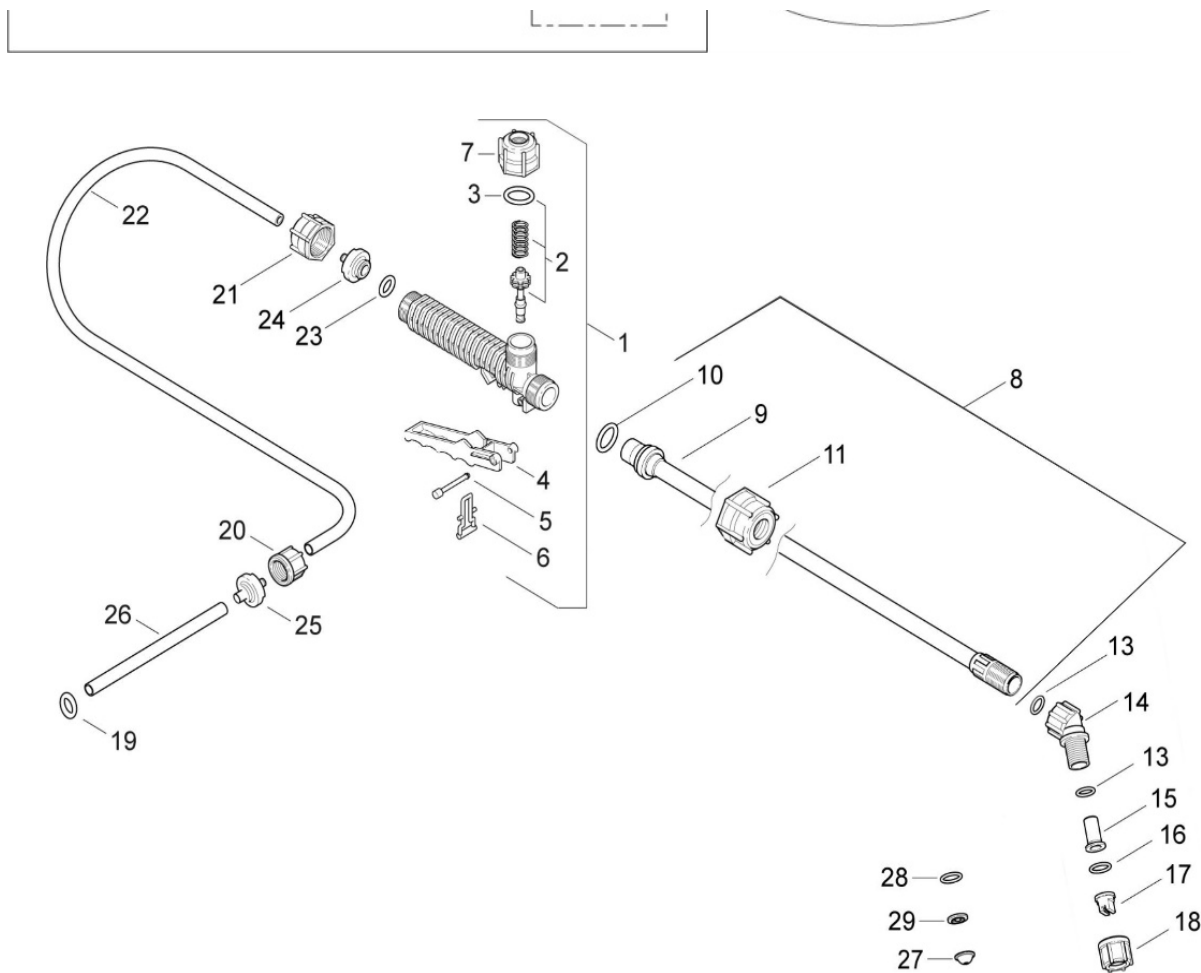
456.457.458 **Basic Unit**

Pos.-	Part No.	Quantity	Description
2	44 00 257	1	Air pump incl. (-> 2 - 9
3	40 73 835	1	Piston
4	00 62 264	1	O-ring
5	40 73 528	1	Tank lid
6	40 74 387	2	Guide
7	40 73 834	1	Cylinder
8	40 61 345	1	Gasket
9	00 94 308	1	Valve viton <-)
10	49 00 512	1	Pressure relief valve incl. (-> 10, 11
11	00 62 258	1	O-ring <-)
12	00 43 106	2	Spring ring
13	00 98 106	1	Carrying strap incl. (->13, 14
15	49 00 405K	1	Gasket kit



456.457.458 **Spray Wand**

Pos.-	Part No.	Quantity	Description
1	48 00 170P	1	Trigger Assy
2	06 10 402K	1	Repair kit incl. (-> 2, 3
3	00 62 258	1	O-ring <-)
4	40 74 335	1	Lever
5	40 74 295	1	Bolt
6	40 74 329	1	Support bracket
7	40 74 336	1	Screw cap <-)
8	49 00 230P	1	Spray tube w. nozzle incl. -> 9 -
10	00 62 258	1	O-ring
11	40 74 337	1	Screw cap
13	00 62 115	2	O-ring
14	40 74 527	1	Elbow
15	40 74 922	1	Filter insert
16	00 62 106	1	O-ring
17	40 74 263 1	1	Flat spray nozzle
18	40 74 148	1	Screw cap <-))
19	00 62 271	1	O-ring
20	40 74 362	1	Screw nut
21	40 74 999	1	Screw cap
22	00 64 117	1	Reinforced tube
23	00 62 271	1	O-ring
24	40 74 484	1	Clamp
25	40 74 399	1	Connection
26	00 64 387	1	Tube



27	40 74 758	1	Nozzle
28	00 62 106	1	O-ring
29	40 74 756	1	Swirl plate