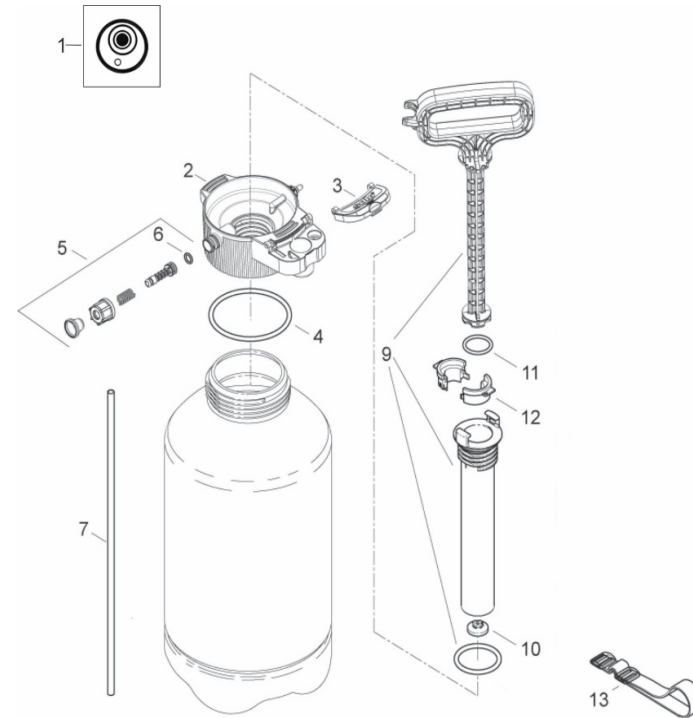


# solo<sup>®</sup>

## 461.462

## Basic Unit

Pos.-No.	Part No.	Quantity	Basic Unit
1	49 00 403K	1	Repair Kit
2	40 73 852	1	Lid Assy not inc tool lid
3	40 73 854	1	Cover
4	00 62 123	1	O-ring
5	48 00 250	1	Pressure relief valve incl. (-> 5,
6	00 62 372	1	O-ring (-)
7	00 64 406	1	Tube
9	49 00 501	1	Pump cylinder/piston
10	00 94 308	1	Valve
11	00 62 135	1	O-ring
12	40 73 839	1	Ring (-)
13	00 98 106	1	Carrying strap



# 461.462

# Sprav Wanc

Pos.-No.	Part No.	Quantity	Spray wand
17	49 00 230P	1	Spray tube inc 18-20
19	00 62 258	1	O-ring
20	40 74 337	1	Screw cap
21	00 62 115	2	O-ring
22	40 74 527 25	1	Elbow
23	40 74 922	1	Filter insert
24	00 62 106	1	O-ring
25	40 74 263 1	1	Flat spray nozzle
26	40 74 148	1	Screw cap <-)
27	00 62 106	1	O-ring
30	40 74 756	1	Swirl plate
31	40 74 758	1	Nozzle
32	48 00 170P	1	Shut-off valve
33	06 10 402K	1	Repair kit
34	40 74 335	1	Lever
35	40 74 295 25	1	Bolt
36	40 74 329 25	1	Support bracket
37	40 74 336	1	Screw cap <-)
43	40 74 655	1	Screw cap
44	00 64 118	1,40 m	Hose
45	00 62 271	1	O-ring
46	40 74 484	1	Clamp
47	40 74 999	1	Screw cap

